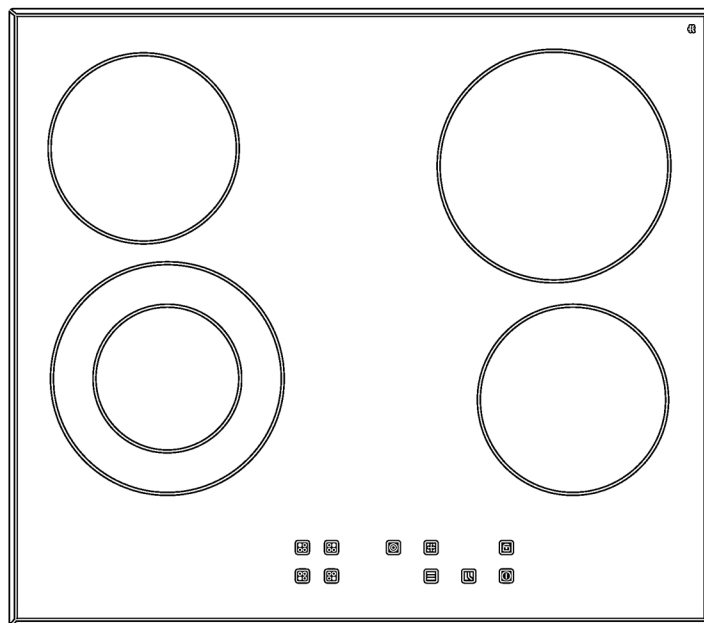


EUROTECH 60CM CERAMIC COOKTOP

ED-CC604T

INSTRUCTION MANUAL



PLEASE READ THIS MANUAL CAREFULLY BEFORE
USING YOUR PRODUCT AND KEEP IT FOR FUTURE
REFERENCE.

SAFETY WARNING

1. Please check the built-in ceramic hob's integrity after opening the package. If there are any problems please refer to the supplier.
2. Do not throw the package materials (plastic bag, foam, nails, package etc) in a place where children can easily access. Please dispose of packaging in an environmentally friendly manner.
3. Do not change the wiring under any circumstances.
4. Dispose of the appliance in an environmentally friendly manner.
5. If the supply cord is damaged, it must be replaced by the manufacturer its service agent or similarly qualified persons in order to avoid a hazard.
6. The appliance is not to be used by persons (including children) with reduced physical, sensory or mental capabilities, or lack of experience and knowledge, unless they have been given supervision or instruction. Children being supervised not to play with the appliance.
7. Do not stare at the hob elements when the appliance is working.
8. Accessible parts may become hot during use. To avoid burns young children should be kept away
9. **WARNING:** If the surface is cracked, switch off the appliance to avoid the possibility of electric shock, for hob surfaces of glass-ceramic or similar material which protect live parts
10. Shall state a steam cleaner is not be used.
11. Metallic objects such as knives, forks, spoons and lids should not be placed on the hob surface since they can get hot.
12. **CAUTION:** The surface temperature exceeds 95°C. To avoid a hazard, under bench access must be restricted. Refer to the installation instructions.
13. **WARNING:** The appliance and its accessible parts become hot during use. Care should be taken to avoid touching heating elements. Children less than 8 years of age shall be kept away unless continuously supervised.
14. The appliance is not intended to be operated by means of an external timer or separate remote-control system.
15. **WARNING:** Unattended cooking on a hob with fat or oil can be dangerous and may result in fire. NEVER try to extinguish a fire with water, but switch off the appliance and then cover flame e.g. with a lid or a fire blanket.
16. **WARNING:** Danger of fire: do not store items on the cooking surfaces.
17. **CAUTION:** The cooking process has to be supervised. A short term cooking process has to be supervised continuously.
18. **WARNING:** Use only hob guards designed by the manufacturer of the cooking appliance or indicated by the manufacturer of the appliance in the instructions for use as suitable or hob guards incorporated in the appliance. The use of inappropriate guards can cause accidents.

A duplicate data label and wiring diagram are contained in this booklet. Please attach these labels to an accessible and near by surface for easy reference. The Manufacturer shall not be held responsible for any inaccuracies in this handbook due to printing or transcription errors, also the designs in the figures are purely indicative. The Manufacturer also reserves the right to make any modifications to the products as may be considered necessary or useful also in the interests of the user, without jeopardizing the main functional and safety features of the products themselves.

Use

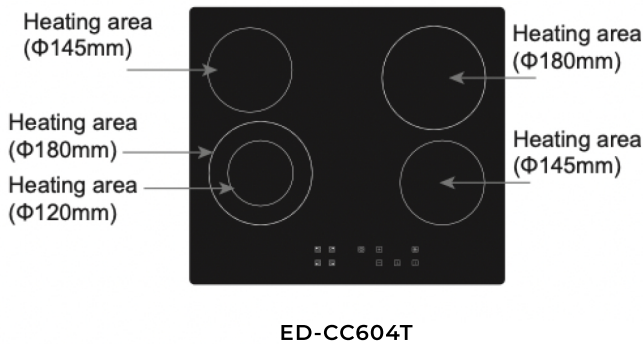
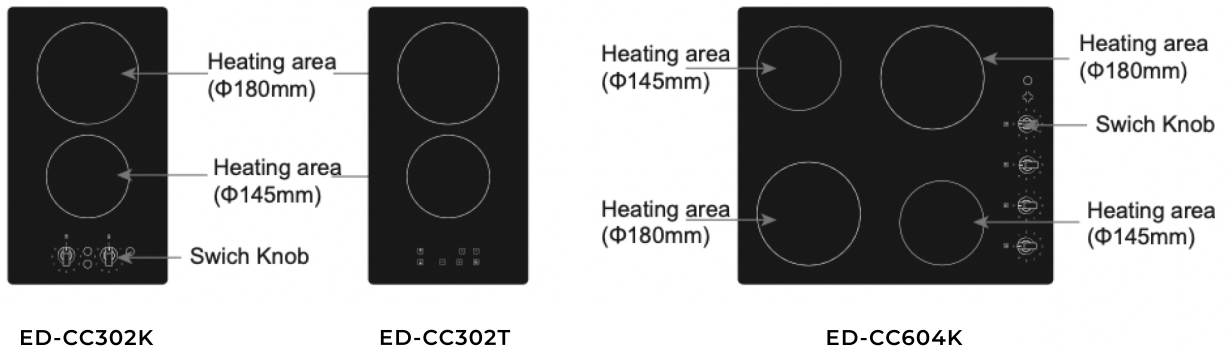
Directions and suggestions for using

1. Do not touch the built-in ceramic hob with wet hands or feet.
2. Do not operate the built-in electric hob when you are bare footed.
3. Do not let young children operate the built-in ceramic hob.
4. Please disconnect the power supply before you do any maintenance and cleaning.
5. When the built-in ceramic hob is working, the temperature of the electric hob and the ambience become higher, so please do not touch it and keep the children away from it.
6. A steam cleaner must not be used for cleaning the appliance.
7. The appliance is not intended to be operated by means of an external timer or separate remote-control system.
8. The built-in ceramic hob must be built into a heat resistant cabinet. Some smoking may occur when first used. Leave on for a short period to burn off excess sealant.

Operation of the top with the heating area

An appropriately selected pan saves energy. A pan should have a thick, flat base with a diameter equal to the plate diameter as in that case heat is transferred most efficiently.

Advice on the use of cooking tops. To save energy and to have a longer life of the ceramic tops, we advise using pans with flat bottom and with a diameter not less than the diameter of the tops. Care must be taken that fluids do not spill on the ceramic plates. Never leave the tops on without pans on them or with empty pans, and never use the tops to heat the plates. Switch on the plates after having set the pans on them. Once switched off, the plates remain warm for a while, do not touch. Switch off the heating element before removing the pans.



Touch control (ED-302T/ED-604T)

- All operations are performed by means of the touch controls on the control panel.
- Each touch control has a corresponding visual display (indicator light).
- You will hear a beep each time a touch is registered.

Switching on the ceramic hob

- Press the ON/OFF button (fig. 1) to switch on the appliance.
- The hob will beep once and all cooking zone indicators will light up briefly. Indicating that the hob has entered stand-by mode .

Notice: To make the next step within one minute, otherwise the controller will automatically shut down.

Switching on a cooking zone and setting a power level

- Press the cooking zone select button (fig. 2) for the zone you want to use.
- Select the heat level required (1-9) by using the up and down buttons (fig. 3). By holding down either of these buttons, the value on the heat level display will adjust up or down.

Note: when the power displayed 0, press the down button, the power will set to 9.

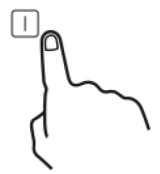


fig.1

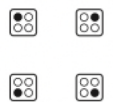


fig.2

Switching off the ceramic hob

1. Press the ON/OFF button, the hob will switch off. It is possible to turn the hob off at any time by pressing the ON/OFF button.
2. Press the up or down buttons to 0, then hob will switch off.

After a zone is switched off, the corresponding heat level display will show a flashing letter "H". This means that the temperature of the zone is above 60°C and is therefore still high enough to cause injury.

- When the temperature of the zone falls below 60°C the letter "H" will go out. It is still possible to burn yourself on a hob zone, even when its temperature has dropped below 60°C.
- IMPORTANT:** The residual heat indicator will disappear if the mains supply to the product is cut.



fig.3



fig.4



fig.5

Locking the ceramic hob

To lock the ceramic hob, press the safety lock button (fig. 4) while the appliance is switched on. With the safety lock activated, all buttons on the control panel will be disabled, except the ON/OFF button. To disable the safety lock feature, press the safety lock button again. And you are then able to adjust the heat level of any zone on the hob.

Timer

Your hob has a timer which you can set (from 1 to 99 minutes) for each cooking zone. At the end of the countdown period, a buzzer will sound and the relevant cooking zone will be switched off.

- Select the cooking zone (fig. 2) and heat level (fig. 3).
- Press the timer button (fig. 5), and then use the up and down buttons to set the countdown time.
- Each time the timer up or down button is pressed, the timer display will increase or decrease in 1 minute increments.

Power level	Time limit (hours)
1-2	6
3-4	5
5	4
6-9	1.5

Safety cut-off

- If one or more of the cooking zones are accidentally left on, a safety cut-off will activate after a certain period of time. The length of time depends on the set power level for that zone. The table on the right gives the time limits for each power level.
- If more than one zone is operating when one of the zones reaches its safety cut-off point, only the zone that has reached its safety cut-off point will switch off.



fig.6

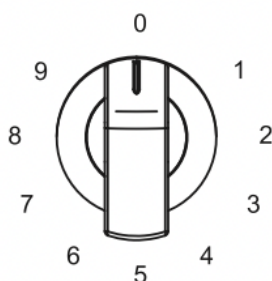
DUAL COOKING ZONE (For ED-CC60T、 ED-CC75T)

Open the DUAL COOKING ZONE, the inner ring is working, press the DUAL COOKING button (fig. 6), the outer ring is working.

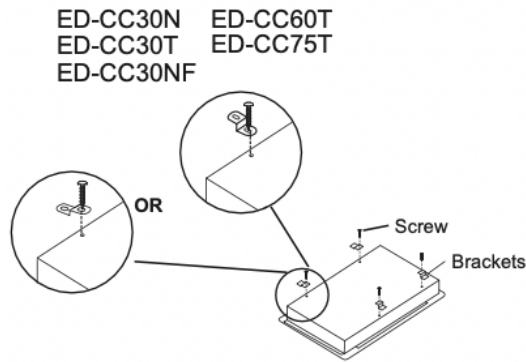
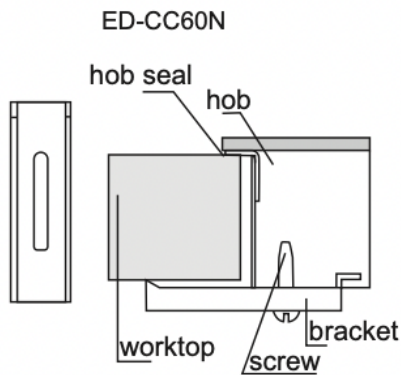
For ED-CC30N、 ED-CC30NF、 ED-CC60N

according to your needs, the tops can be adjusted by turning the knobs either clockwise or anti-clockwise on 9 position besides the 0 position (off). The positions marked by the higher numerical index match the maximum output of heat (see table).

When using rapid tops, a thermostat automatically reduces the power when the selected temperature is reached, and the top operates intermittently to reach a constant cooking temperature. The pilot light set in the control is a signal that the electric plates are switched on. The level of heat can be adjusted gradually by turning the appropriate knob to the right or left. Switching on the plate results in an orange signal light on the control panel turning on.



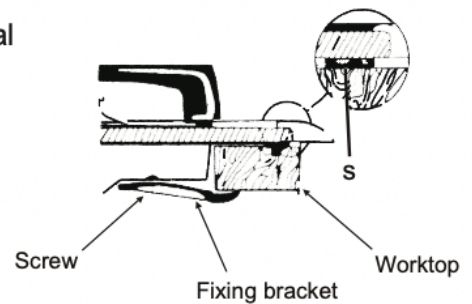
0	Switch off
1-2	MIN.Warming up
3-4	Stewing vegetables,slow cooking
5-6	Slow frying
7-8	Grilling meat,fish
9	MAX.Fast heating up ,fast cooking,frying



Inserting and fixing the hob

Before inserting the hob into the work surface, place the adhesive seal "s" around the underside edge of the hob. It is important to fix this gasket evenly, without gaps or overlapping to prevent liquids from seeping underneath the hob.

1. Place the gasket around the bottom edge of the hobs as shown in the illustration overleaf.
2. Place the hob in the installation opening and push it down so that the hob is resting firmly on the cabinet.
3. Secure the hob in position using the fixing brackets supplied.



Secure the hob to the underside of the worktop using the fixings provided. Screw one end of the bracket into the pre-drilled holes in the underside of the hob. The other end of the bracket should be located underneath the worktop to secure the hob in position.

Note 1:

The minimum height of any adjacent units (including light pelmets) is 450mm, unless they are manufactured from a material resistant to fire (steel, ceramic tiles for example).

Note 2:

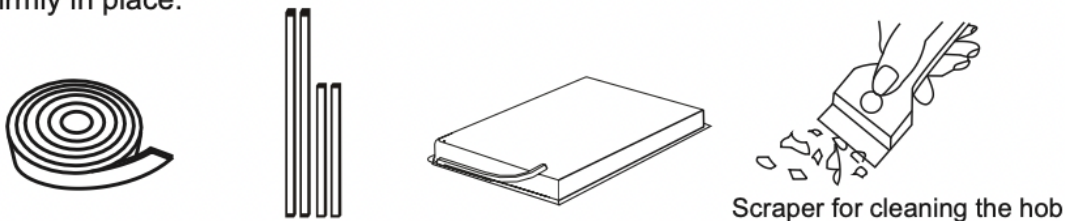
No overhanging surface or rangehood and exhaust system are not permitted within 750mm above burner tops.

Note 3: Leave at least 50 mm clearance between the base of the appliance and a combustible surface. Never leave the packing components (plastic bags, nails, foamed polystyrene, etc..) within the reach of the children since they are a source of potential danger.

The hob has a special seal which prevents liquid from entering the cabinet. Follow these instructions in order to correctly apply this.

Seal:

Detach the seals from their backing, that the transparent protection still adheres to the seal itself. Turn over the hob and correctly position seal under the edge of the hob itself, so that the outer part of the seal itself perfectly matches the outer edge of the hob. Evenly and securely fix the seal to the hob, pressing it firmly in place.



CLEANING AND MAINTENANCE

-Do not use cleaning products containing abrasive materials for the cleaning and maintenance of the glass front panel.

-When cleaning do not use cleaning agents with a strong abrasive effect, such as e.g. scouring powders containing an abrasive, abrasive compounds, abrasive stones, pumice stones, wire brushes and so on. They may scratch the hob surface, causing irreversible damage.

-Large spillages that are firmly stuck to the hob can be removed by a special scraper (not include); but be careful not to damage the ceramic hob frame when doing this.

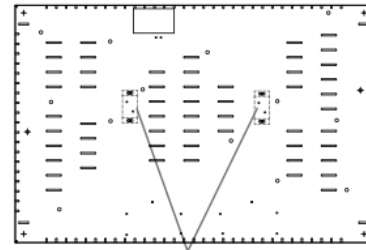
Caution!

The sharp blade should always be protected by adjusting the cover (just push it with your thumb). Injuries are possible so be careful when using this instrument - keep out of reach of children.

Appropriate light cleaning or washing products are recommended, such as e.g. any kind of liquids emulsions for fat removal. Alternatively a solution of warm water with a little washing up liquid or cleaning products for stainless steel sinks can be used.

Disassembly bottom base(ED-CC75T)

4 bigger screws need to be removed first before bottom base disassembly. (Bottom base removal need to be done by professional person. Normal user is not allowed to disassembly bottom base)



Screws need to removed

MALFUNCTION ELIMINATION

Malfunction	Eliminating guide
Hob doesn't work	<ul style="list-style-type: none">•Check the connection of wires•Check the fuse and the current limit
There is some smoke when it is working	<ul style="list-style-type: none">•It is normal the first time you use.•Clean the drail around the electric hob and the heating area.
The wire is damaged	<ul style="list-style-type: none">•Connect the nearest maintainance center to change the equipment parts.



This appliance is labelled in compliance with European directive 2012/19/EC for Waste Electrical and Electronic Equipment (WEEE). By ensuring that this appliance is disposed of correctly, you will help prevent any possible harm to the environment and to human health which might otherwise be caused if disposed of in the wrong way.

The symbol on the product indicates that it may not be treated as normal household waste. It should be taken to a collection point for the recycling of electrical and electronic goods.

This appliance requires specialist waste disposal. For further information regarding the treatment, recovery and recycling of this product, please contact your local council, household waste disposal service or the shop where you purchased the product.

For more detailed information about treatment, recovery and recycling of this product, please contact your local local council, household waste disposal service or the shop where you purchased the product.