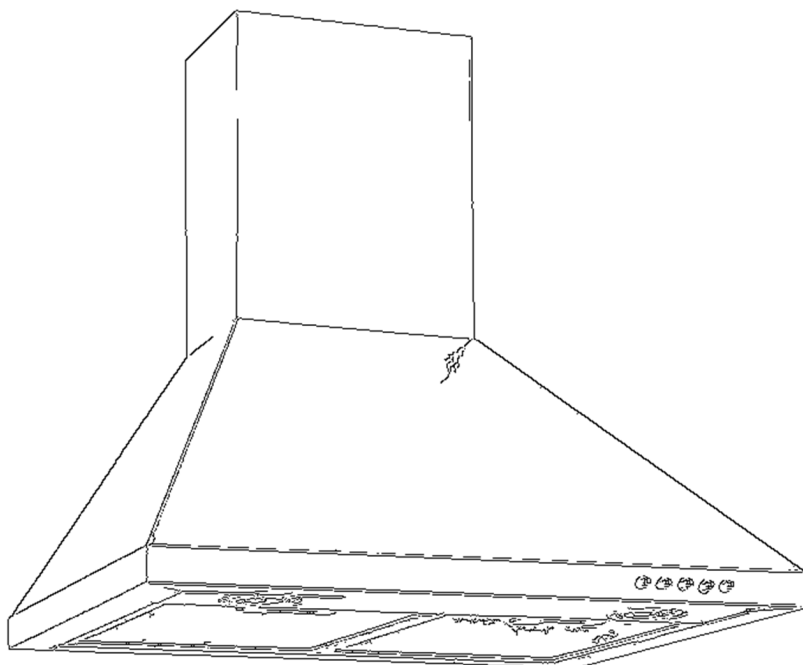


# EUROTECH 60CM WALL CANOPY RANGEHOOD

ED-CAMINO60

## INSTRUCTION MANUAL



PLEASE READ THIS MANUAL CAREFULLY BEFORE  
USING YOUR PRODUCT AND KEEP IT FOR FUTURE  
REFERENCE.

# Content

|  |          |
|--|----------|
| <b>1. Notice</b>                       | <b>1</b> |
| <b>2. Feature</b>                      | <b>1</b> |
| <b>3. Installation</b>                 | <b>1</b> |
| <b>4. Change lamp</b>                  | <b>2</b> |
| <b>5. Notice of Installation</b>       | <b>3</b> |
| <b>6. Safety Warning</b>               | <b>3</b> |
| <b>7. Use</b>                          | <b>4</b> |
| <b>8. Potential Problems/Solutions</b> | <b>5</b> |
| <b>9. Electrical Diagram</b>           | <b>6</b> |
| <b>10. Main Parameters</b>             | <b>6</b> |
| <b>11. Clean</b>                       | <b>7</b> |

# RANGE HOOD

---

## 1. Notice

- 1.1 Thank you for choosing this range hood. Please read the manual carefully before installation or use.
- 1.2 The installation work must be undertaken by a qualified and competent person who is experienced in installing items used for the removal of contaminated air. Please ensure all liability for any power is connected.
- 1.3 The manufacturer disclaims all liability for damage or injury caused as a result of not following the instructions for installation contained in the following text.
- 1.4 The appliance is not intended for use by young children or infirm persons without supervision.
- 1.5 Young children should be supervised to ensure that they do not play with the appliance.
- 1.6 The Max. number of hobs covered by range hood should not exceed 4.

## 2. Feature

- 2.1 Our range hoods are manufactured from top quality materials, and offer a superb streamlined effect.
- 2.2 Equipped with large power, low noise, electric motor and centrifugal leaf, it offers characteristics of strong suction, low noise, oil non stick, and is easy to clean.
- 2.3 The special wind tunnel construction and oil collector design ensures dirt will be absorbed in a second.

## 3. Installation

- 3.1 The range hoods should be placed at a distance of at least 700mm from the cooking surface for best effect ( If the instructions for installation for the gas hob specify a greater distance, this has to be taken into account). See pic I. That exhaust air must not be discharged into a flue which is used for exhausting fumes from appliances burning gas or other fuels.

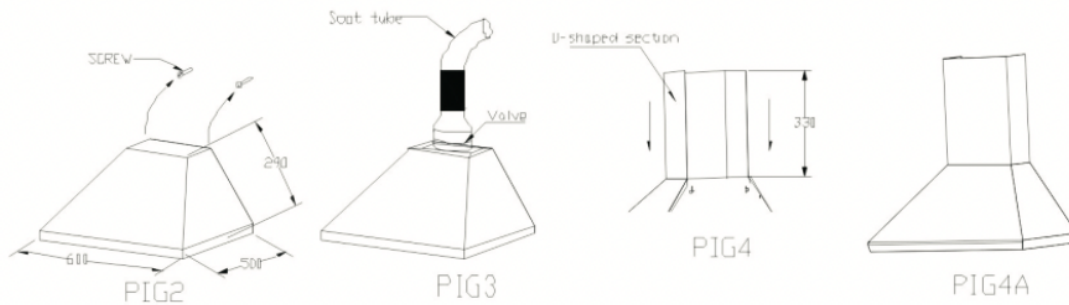
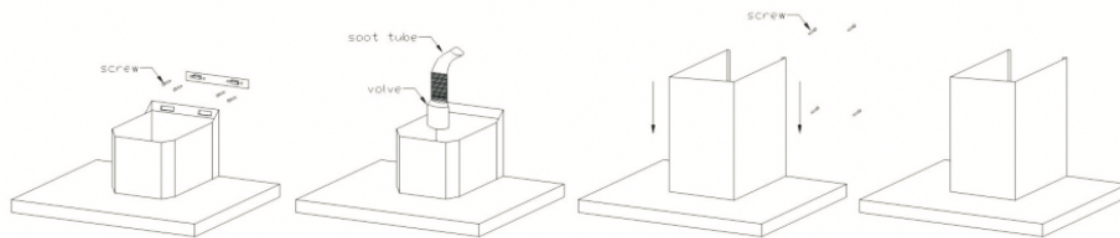
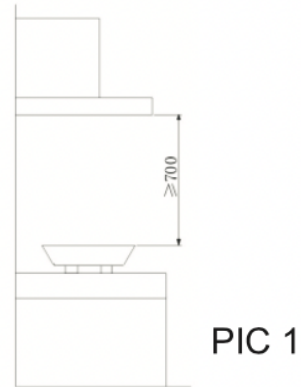
3.2 To install onto the wall every 220mm drill 2 holes of 8mm on a suitable place in line on the hood.

3.3 Insert expanded screws into the holes.

3.4 Fix Drilling template on the wall. See pic2.

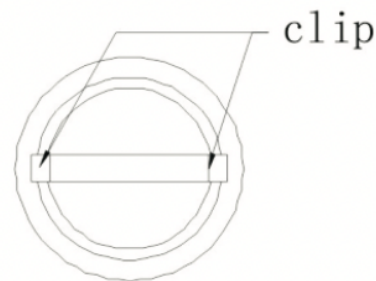
3.5 Add the soot tube (alternative part) to the one way valve, and put it outdoor. See pic3.

3.6 Insert the U-shaped section (alternative part), make sure it's firmed (see pic4). At this, the hood has been Installed. (see pic4A).



## 4. Change lamp

Before changing lamp, please confirm that the power is switched off. Unplug connector linking to the lamp, and then press the lamp's clip to take out the lamp holder, (see PIC4B), change the same lamp (Lamp Max.20W) and then out the lamp holder back, plug the connector.

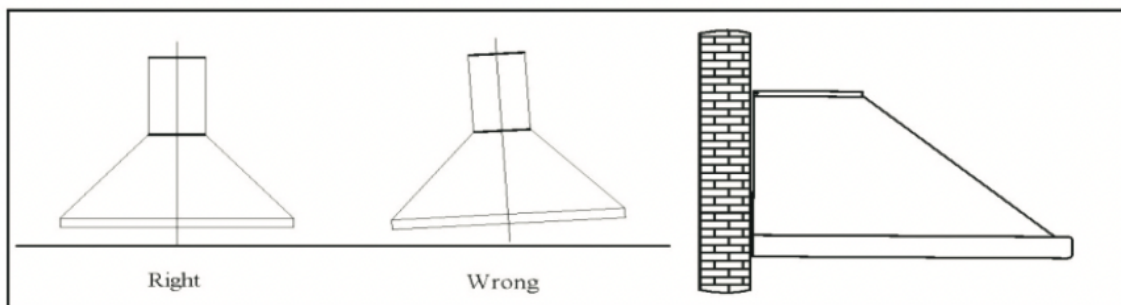


PIC 4B

# RANGE HOOD

## 5. Notice of Installation

- 5.1 Before installation, please make sure that there is adequate ventilation of the room when the range hood is used at the same time as appliances burning gas or other fuels and clean up the surrounding area, to avoid suction of the such as bits of broken wood.
- 5.2 It can not share the same air ventilation tube with other appliance such as gas tube, warmer tube, and hot wind tube.
- 5.3 The bending of soot ventilation tube should be  $\geq 120^\circ\text{C}$ , parallel or above the start point and should be connected to the outdoor.
- 5.4 After installation, test carefully on the horizontal degree, see pic5.
- 5.5 Be sure that the plug is accessible after installation.



Pic 5

## 6. Safety Warning

- \* There shall be adequate ventilation of the room when the range hood is used at the same time as appliances burning gas or other fuels.
- \* Do not check the status of the filters while the range hood is operating.
- \* Do not touch the light bulb within half an hour after appliance use.
- \* Avoid opening gas valve when there is no pan on the stove, as it is damaging for the filters and a fire hazard.
- \* Constantly check food frying to avoid that the overheated oil may become a fire hazard.
- \* Disconnect the electrical plug prior to any maintenance.
- \* The air must not be discharged into a fuel that is used for exhausting fumes from appliances burning gas or other fuels.
- \* This appliance is not intended for use by young children and infirm person unless they have been adequately supervised by a responsible person to ensure that they can the appliance safely.
- \* Young children should be supervised to ensure that they do not play with the appliance.

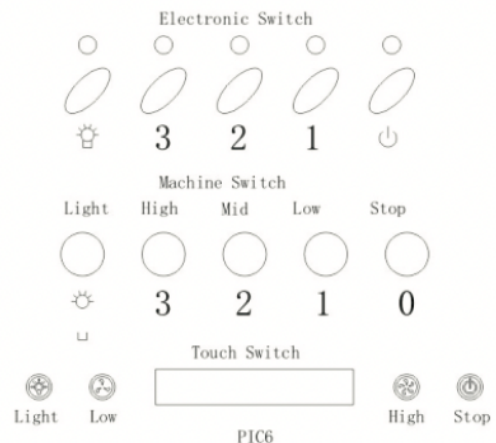
# User's Manual

- \* The range hood is for home use only and is not suitable for barbecue, and other commercial premises.
- \* Ensure a suitably qualified technical person assembles this hood.
- \* The range hood and its filter mesh should be cleaned regularly in order to keep a good suction effect.
- \* Before cleaning, please confirm that the power is switched off.
- \* Clean the range hood according to the instruction manual and ensure the range hood is in no danger of burning. There is a fire risk if cleaning is not carried out in accordance with the instructions.
- \* The regulations concerning the discharge of exhaust air have to be fulfilled.
- \* If any problems occur with the system or the suction ensure that only a suitably qualified person effect any repairs or inspection.
- \* Please keep the kitchen well aired at all times.
- \* The exhaust should not mix the waste gas with gas of other extracting appliance.
- \* Prior to any maintenance operation ensure that the range hood is disconnected from the power supply.
- \* Don't flame under the range hood.
- \* If the supply cord is damaged, it must be replaced by the manufacturer or its service agent or a similarly qualified person in order to avoid a hazard.

## 7. Use

3 Speed adjustment see pic6

- Push Stop button, and motor will stop.
- Push the Low button, and the motor runs at low speed.
- Push the Mid button, and the motor runs at mid speed.
- Push the High button, and motor runs at high speed.
- Push the Light button, and the two lighting lamps light. Push it again the lamp will turn off.



# RANGE HOOD

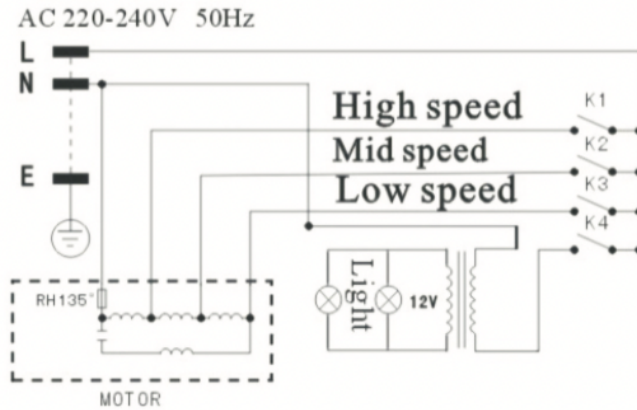
## 8. Potential Problems/Solutions

If any problem occurs, please remove the plug from the socket and contact the manufacturer or its service agent or a similarly qualified person in order to avoid a hazard.

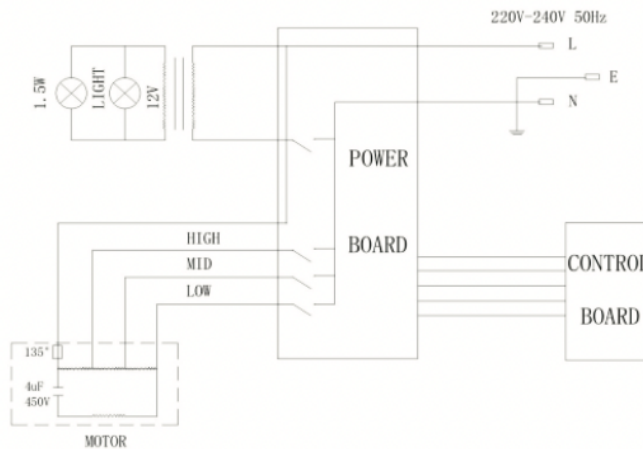
| Problem                                  | Cause  | Solution  |
|--|--|---|
| Light on, but motor does not work        | The leaf blocked   | Get rid of the blocking                                 |
|  | The capacitor damaged  | Replace capacitor                                       |
|  | The motor jammed bearing damaged   | Replace motor   |
|  | The internal wiring of motor off or a bad smell from the motor   | Replace motor   |
| Light does not work, motor does not work | Beside the above mentioned, check the following  |   |
|  | Light damaged  | Replace lights  |
|  | Power cord looses  | Connect the wires as per the electric diagram           |
| Oil leakage                              | One way valve and the air ventilation entrance are not tightly sealed  | Take down the one way valve and seal with soap or paint |
|  | Leakage from the connection of U shaped section and cover  | Take Ushaped section down and seal with soap or glue    |
| Body shaking                             | The leaf damaged and caused shaking  | Replace the leaf  |
|  | The motor is not tightly locked  | Lock the motor tightly                                  |
|  | The body is not tightly hanged   | Fix the body tightly                                    |
| Insufficient suction                     | The distance between the body and the gas top of too long  | Readjust the distance                                   |
|  | The Hood may be installed too close to windows or door which when open may cause excessive wind interference | Choose a new place and reinstall the machine            |
| The machine inclines                     | The loose of the fixing screw  | Fix tightly the hanging screw and make it horizontal    |
|  | The loose of the hanging screw   | Fix tightly the hanging screw and make it horizontal    |

## 9. Electrical Diagram

### Machine Switch



### Electronic Switch



## 10. Main Parameters

|                |                |
|----------------|----------------|
| Rated Input    | 220V~240V,50Hz |
| Rated Power    | 178W           |
| Lighting Power | 20W×2          |
| Motor Power    | 138W           |
| Drive Mode     | Single Motor   |



# RANGE HOOD

---

## 11. Clean

\* Before cleaning, Please confirm that the power is switched off

11.1 Cleaning the surface of hood every week. Use mild soap or detergent to clean the hood.

11.2 Avoid the use of scouring powers of dishwasher compounds.

11.3 Grease filter may be washed using mild soap or detergent when use it three months. (heavy grease build up may not be cleaned easily and the filter may require replacement)

11.4 Do not use harsh alkalis or abrasives.

11.5 Charcoal filters cannot be cleaned and must be replaced when use it six months.