



ED-CAMINO90

Eurotech 900mm Canopy Rangehood

Website: <http://www.eurotechdesign.co.nz/rangehoods/eurotech/ed-camino90>

W	D
900	500

COLOUR

Stainless Steel

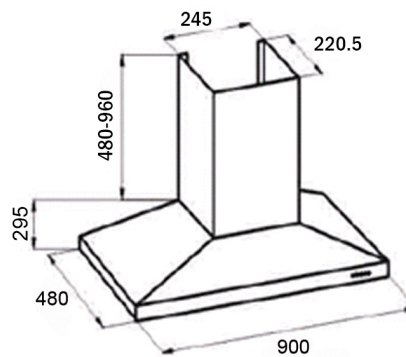
DIMENSIONS

W 900 D 500 H 645-1030

FEATURES

- 3 Speed Push Button
- Led Lamps (2 x 20W)
- Aluminium Filter 5 ply (Dishwasher safe)
- Ducting Outlet: 150mm
- Funnel Size: W 245 x D 220.5 x H 480-960mm
- 760m³/hr Extraction Rate
- Noise Rating: 58dB
- Electrical Loads: 220-240V

CUTOUT



WARRANTY

2 Years