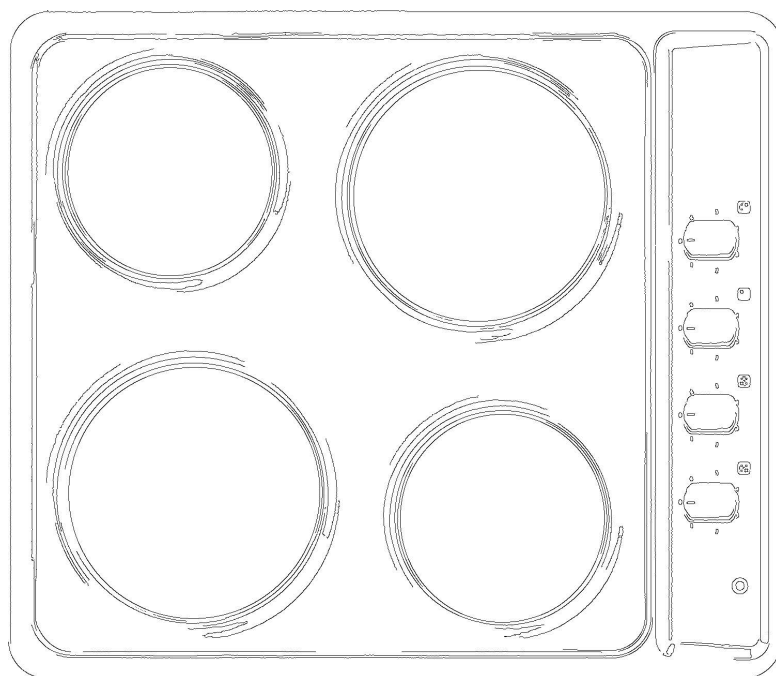


# EUROTECH 60CM HOTPLATE COOKTOP

ED-HP60SS

## INSTRUCTION MANUAL



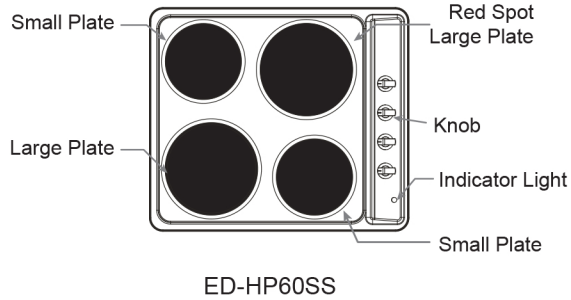
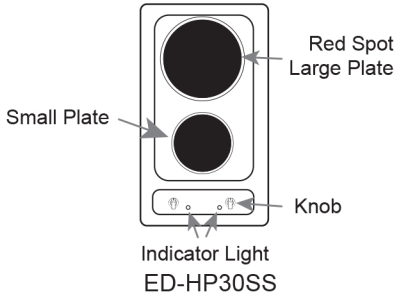
PLEASE READ THIS MANUAL CAREFULLY BEFORE  
USING YOUR PRODUCT AND KEEP IT FOR FUTURE  
REFERENCE.

## SAFETY WARNING

1. Please check the built-in electric hob's integrity after opening the package. If there are any problems please refer to the supplier.
2. Do not throw the package materials (plastic bag, foam, nails, package etc) in a place where children can easily access. Please dispose of packaging in an environmentally friendly manner.
3. Do not change the wiring under any circumstances.
4. Dispose of the appliance in an environmentally friendly manner.
5. If the supply cord is damaged, it must be replaced by the manufacturer its service agent or similarly qualified persons in order to avoid a hazard.
6. The appliance is not to be used by persons (including children) with reduced physical, sensory or mental capabilities, or lack of experience and knowledge, unless they have been given supervision or instruction. children being supervised not to play with the appliance.
7. Do not stare at the hob elements when the appliance is working.
8. Accessible parts may become hot during use. To avoid burns young children should be kept away
9. **WARNING:** If the surface is cracked, switch off the appliance to avoid the possibility of electric shock, for hob surfaces of glass-ceramic or similar material which protect live parts
10. Shall state a steam cleaner is not be used.
11. Metallic objects such as knives, forks, spoons and lids should not be placed on the hob surface since they can get hot.
12. **CAUTION:** The surface temperature exceeds 95°C. To avoid a hazard, under bench access must be restricted. Refer to the installation instructions.
13. **WARNING:** The appliance and its accessible parts become hot during use. Care should be taken to avoid touching heating elements. Children less than 8 years of age shall be kept away unless continuously supervised.
14. The appliance is not intended to be operated by means of an external timer or separate remote-control system.
15. **WARNING:** Unattended cooking on a hob with fat or oil can be dangerous and may result in fire. NEVER try to extinguish a fire with water, but switch off the appliance and then cover flame e.g. with a lid or a fire blanket.
16. **WARNING:** Danger of fire: do not store items on the cooking surfaces.
17. **CAUTION:** The cooking process has to be supervised. A short term cooking process has to be supervised continuously.
18. **WARNING:** Use only hob guards designed by the manufacturer of the cooking appliance or indicated by the manufacturer of the appliance in the instructions for use as suitable or hob guards incorporated in the appliance. The use of inappropriate guards can cause accidents.

A duplicate data label and wiring diagram are contained in this booklet. Please attach these labels to an accessible and near by surface for easy reference. The Manufacturer shall not be held responsible for any inaccuracies in this handbook due to printing or transcription errors, also the designs in the figures are purely indicative. The Manufacturer also reserves the right to make any modifications to the products as may be considered necessary or useful also in the interests of the user, without jeopardizing the main functional and safety features of the products themselves.

## Description of the hot plates



## Use

### Directions for Use

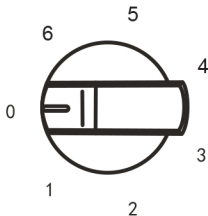
1. Do not touch the appliance with wet hands.
2. Do not operate the appliance when barefoot.
3. Do not allow children to operate the hob.
4. Please disconnect the power supply before any maintenance and cleaning.
5. Electric hobs become and remain hot during and immediately after use. Do not touch the hob until it has been allowed to cool.
6. Steam cleaners must not be used to clean the appliance.
7. The appliance is not intended to be operated by means of an external timer or separate remote-control system.
8. The power supply should use H05VV-F/H07RN-F.
9. The hob must be built into a heat-resistant cabinet. Smoke may be visible when first used – this is normal. Please leave on for a few minutes to burn off excess sealant.

### Operation

The electric plates can either be standard or rapid type. The latter features a red spot in the centre.

The temperature of the hot plates can be adjusted by turning the knobs either clockwise or anti-clockwise to any of the 6 positions besides the 0 position (Off). The higher the number, the greater the output of heat (see table below). When using rapid plates, a thermostat automatically reduces the power when the selected temperature is reached and the plate cycles intermittently to keep a constant cooking temperature. The indicator light is a signal that the electric plates are switched on.

The level of heat can be adjusted gradually by turning the appropriate knob to the right or left. The indicator light can be found on the control panel – please see above diagrams.



HEAT SETTING	DESCRIPTION
0	OFF position
1	VERY GENTLE - warming up
2	GENTLE - stewing vegetables, slow cooking
3	SLOW - cooking soups, larger dishes
4	MEDIUM - slow frying
5	HIGH - grilling meat, fish
6	VERY HIGH - grilling meat, fish

An appropriately sized pan saves energy.

The correct pan should have a thick, flat base, with a diameter equal to the plate diameter, so that heat is transferred more efficiently.

### Advice on the Use of Electric Plates

To save energy and ensure longer life of the electric plates, we advise using pans with a flat bottom and with a diameter no less than the diameter of the plates.

Never leave the plates on without pans on them, or with empty pans and never use the plates to heat crockery. Switch on the plates after having set the pans on them.

Do not touch the hob until it has been allowed to cool as the plates remain hot for a short period of time after being switched off.

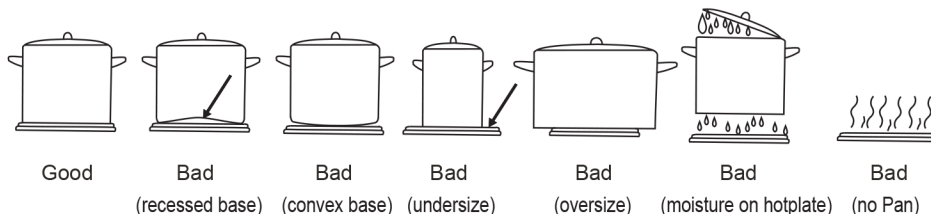
Switch off the heating plate before removing the pans.

### Technical Data

Model	Power Supply	Electric Plate Power(W)			Size	Built-in Hole Size
		145mm	180mm	180mm(Red)		
ED-HP30SS	AC 220-240V 50Hz	1000	/	2000	297x515x90	283(L)X498(W)
ED-HP60SS		1000	1500	2000	580X500X76	557(L)X477(W)

### Pans

- Use pans with flat bottoms. Uneven or thin bottoms will waste energy and are slow to cook.
- Smaller pans will waste energy.
- Do not use oversized pans. More than 50mm overhang can cause components to overheat and cause fine cracks in enamel or even damage heating elements.
- Use only dry pans. Do not place wet or condensated items (eg. lids) on the hotplates.
- Do not use pots and pans that are unsteady and likely to rock or overturn.
- Do not operate the hob for an extended time without a pan on the hotplate.





## CLEANING

The appliance must be turned off at the mains before carrying out any maintenance. Make sure the hob plates are not hot prior to any cleaning or maintenance. Any abrasive cleaners (such as Cif) will scratch the surface and could erase the control panel markings. Stainless steel can be effectively cleaned by simply using a dilute solution of water and washing up liquid and drying to a shine with a clean cloth. Over time with use, the stainless steel surface may discolour – this is normal and does not constitute a fault with this appliance. Proprietary stainless steel cleaners are available.

## HOTPLATE CARE

The finish of the cast iron hotplates is designed to be durable in use. The following tips should be observed to get the best from your hob:

1. Do not use decorative covers as these can cause damage to the surface and lead to rust.
2. Use a special hotplate surface cleaner to protect and restore the surface of the hotplates.
3. Do not use soap and water on the hotplates. Wipe up spills and splashes immediately.
4. Never operate the hob without a pan, unless it is for a few seconds (as below).
5. Deposits of fat can be burned off by turning the hotplate on for a few seconds. The fat will brush off when the appliance has cooled down.

## TECHNICAL INFORMATION FOR INSTALLATION (Qualified Personnel Only)

### Electrical Connection


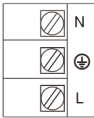
Appliances with three-pole cables are set up for operation with alternating current at the voltage and frequency indicated on the rating plate. Please ensure you have studied and are familiar with the connection wiring diagram provided prior to installation. Note that the earth conductor is yellow/green. The connection to the electricity supply must be made by a qualified person and following the regulations in force. When the appliance is to be installed above a built-in oven, the two appliances must be connected separately.

The supply cable must be so positioned that no point can reach a temperature 50° C higher than the ambient temperature. Also check that the supply system has an effective earth connection and corresponds to the standards in force and that the plug (or omnipolar switch) can be reached easily when the appliance is installed.

### Fitting Guidelines

The voltage rating of the hob heating elements is 220-240V. Adapting the hob to operate with one-phase current is possible by appropriate bridging in the connection box according to the connection diagram below. The connection diagram is also shown on the cover of the connection box. Remember that the connection wire should match the connection type and the power rating of the hob.

The connection cable must be secured in a strain-Relief clamp.

<p style="text-align: center;"><b>CONNECTION DIAGRAM</b></p> <p>Caution! Voltage of heating elements 220-240V</p> <p>Caution! In the event of any connection the safety wire must be connected to the ⊕ E terminal.</p>	<p>ED-HP30SS</p> 	<p>ED-HP60SS</p> 	<p>Recommended type of connection lead</p>
	<p>N → ○</p> <p>E → ○</p> <p>L → ○</p>	<p>N → ○</p> <p>E → ○</p> <p>L → ○</p>	

Power configuration mode	ED-HP30SS	ED-HP60SS
Minimum cable size (mm <sup>2</sup> )	1.5	2.5

- If the cable is damaged or to be replaced, the operation must be carried out by a service agent or a suitably qualified professional.
- The appliance for disconnection from the supply mains having a contact separation in all poles providing full disconnection under overvoltage category III conditions should be provided in fixed wiring in accordance with the wiring rules.
- The installer must ensure that the correct electrical connection has been made and that it is compliant with all applicable standards and safety regulations.
- The cable must not be bent or compressed.
- The cable must be checked regularly and replaced by authorised technicians only.

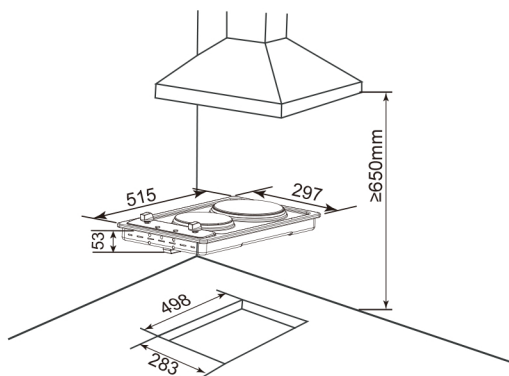
### Caution!

Remember to connect the safety circuit to the connection box terminal marked with  $\oplus$ . The electricity supply for the hob must have a safety switch which enables the power to be cut off in case of emergency. The distance between the working contacts of the safety switch must be at least 3 mm. Before connecting the cooker to the power supply it is important to read the information on the data plate and the connection diagram.

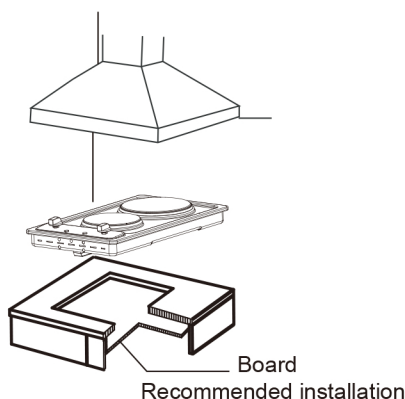
**The manufacturer will not accept any responsibility if the applicable standards are not respected.**

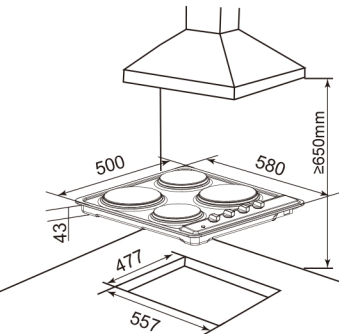
**This appliance must be installed only by authorised personnel and in accordance with regulations. The surfaces must be capable of sustaining temperatures of 80°C. All laminates, fixing adhesive and surface materials should be certified suitable for this temperature.**

**According to the diagrams below, cut a hole in the worktop and insert the hob. The hob can be fitted to any worktop with a thickness of 40mm or 50mm.**

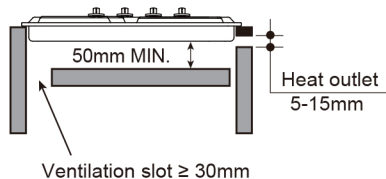


ED-HP30SS





ED-HP60SS



Please note the following:

1. The minimum height of any adjacent units (including light pelmets) is 450mm, unless they are manufactured from a material resistant to fire (ceramic tiles, for example).
2. No overhang or cooker hood is permitted within 650mm distance in height above the hotplates.
3. Leave at least 50mm clearance between the underside of the appliance and any combustible area.

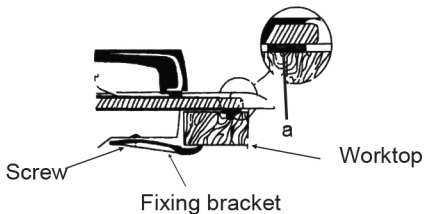
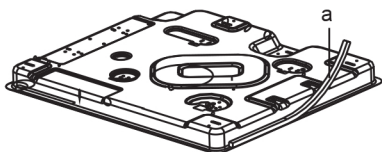
### INSERTING AND FIXING THE HOB

Before inserting the hob into the work surface, place the adhesive seal (a) around the underside edge of the hob. It is important to fix this seal evenly without gaps or overlapping to prevent liquids from seeping underneath the hob. Please follow the below instructions:

- 1) Place the seal around the bottom edge of the hob as shown in the illustration below.
- 2) Place the hob in the installation opening and push it down so that the hob is resting firmly on the worktop.
- 3) Secure the hob in position using the fixing brackets supplied.

Screw one end of the bracket into the pre-drilled holes in the underside of the hob.

The other end of the bracket should be located underneath the worktop to secure the hob in position.



## TROUBLESHOOTING

PROBLEM	CHECKLIST
Hob does not work	<ul style="list-style-type: none"><li>● Check the wiring connection</li><li>● Check the fuse and voltage</li></ul>
Smoke when hob is on	<ul style="list-style-type: none"><li>● This is normal on first use</li><li>● Clean area around hotplates</li></ul>
Damaged wire	<ul style="list-style-type: none"><li>● Contact service provider and do not attempt to use</li></ul>

### Correct Disposal of this Product



This marking indicates that this product should not be disposed of together with other household waste. To prevent possible harm to the environment or human health from uncontrolled waste disposal, recycle it responsibly to promote the sustainable reuse of material sources. To dispose of your unwanted product, please use your local return and collection systems or contact the retailer where the product was purchased. The retailer will be able to dispose of the product in a safe and environmentally-friendly manner.